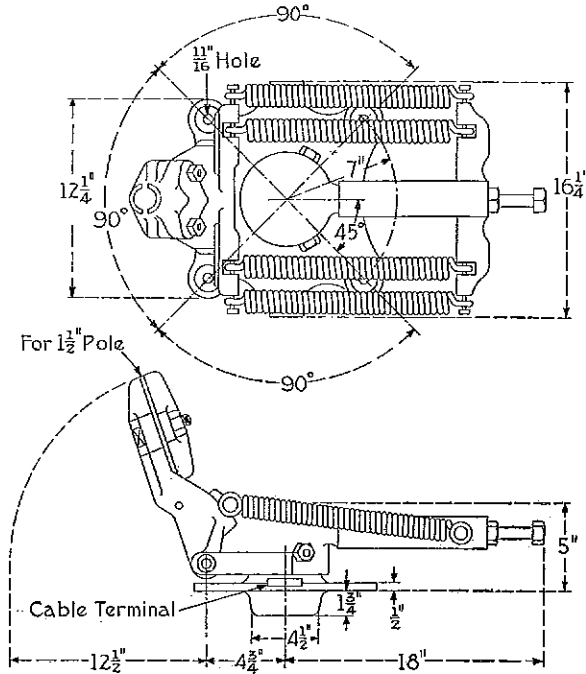
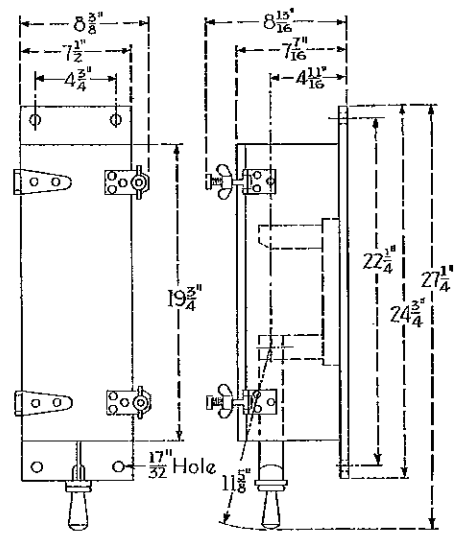


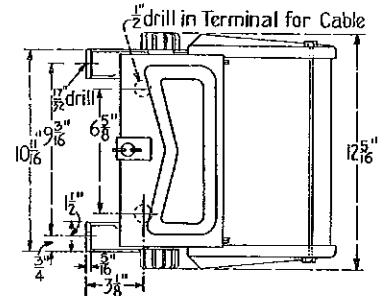
DIMENSIONS OF ELECTRICAL APPARATUS USED WITH TYPE M RAILWAY CONTROL EQUIPMENT



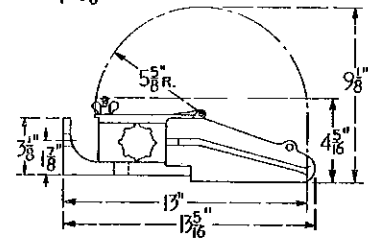
US-13-E Trolley Base
Approx. Weight 115 lb.



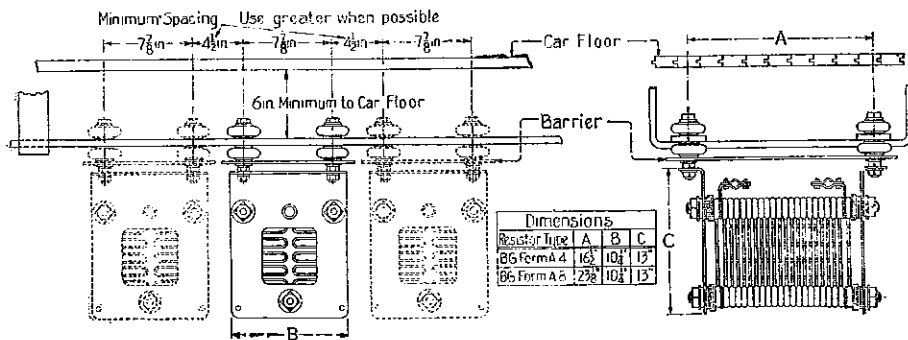
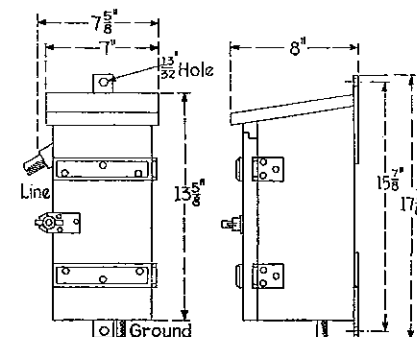
MS-118-A Main Switch
Approx. Weight 24 lb.



MD-3 Lightning Arrester
Approx. Weight 15 lb.



MA-13-F Fuse Box
Approx. Weight 17 lb.



Dimensions of Type BG Railway Resistors.
Form Approx. Weight.
A-4 80 lb.
A-6 110 lb.

For REFERENCE ONLY unless endorsed on back.

DISTRICT OFFICES MAY APPROVE THIS
PRINT FOR CONSTRUCTION.

2 JAN., 1924

No. 15381

ENGINEERING DEPT.
GENERAL ELECTRIC COMPANY, U.S.A.

2m 1-14-24